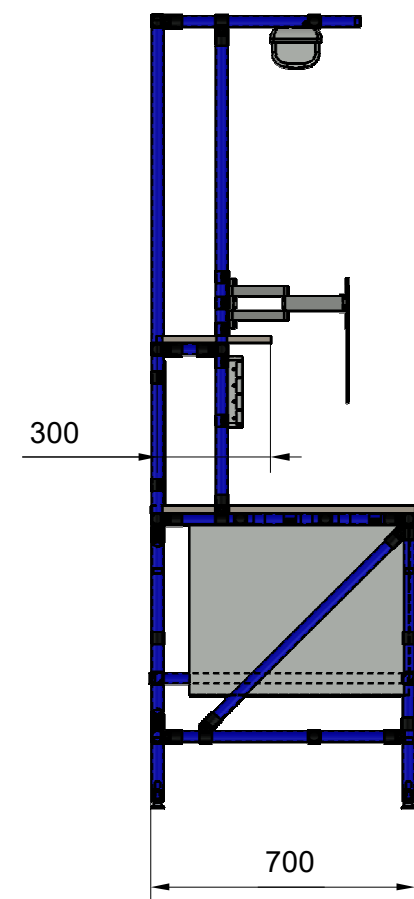
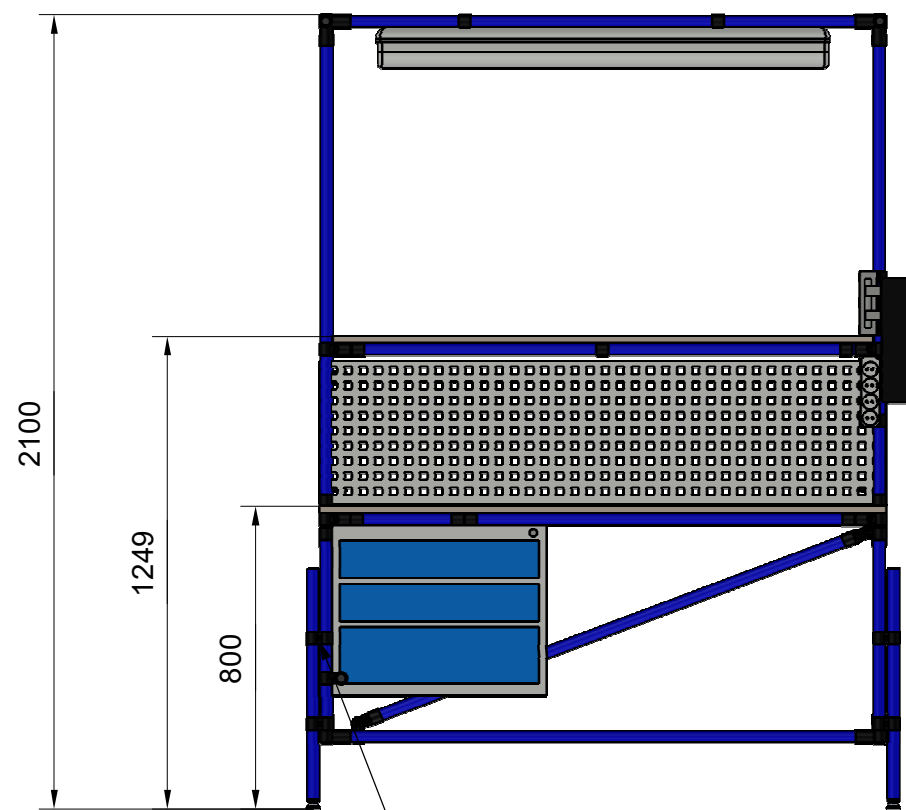
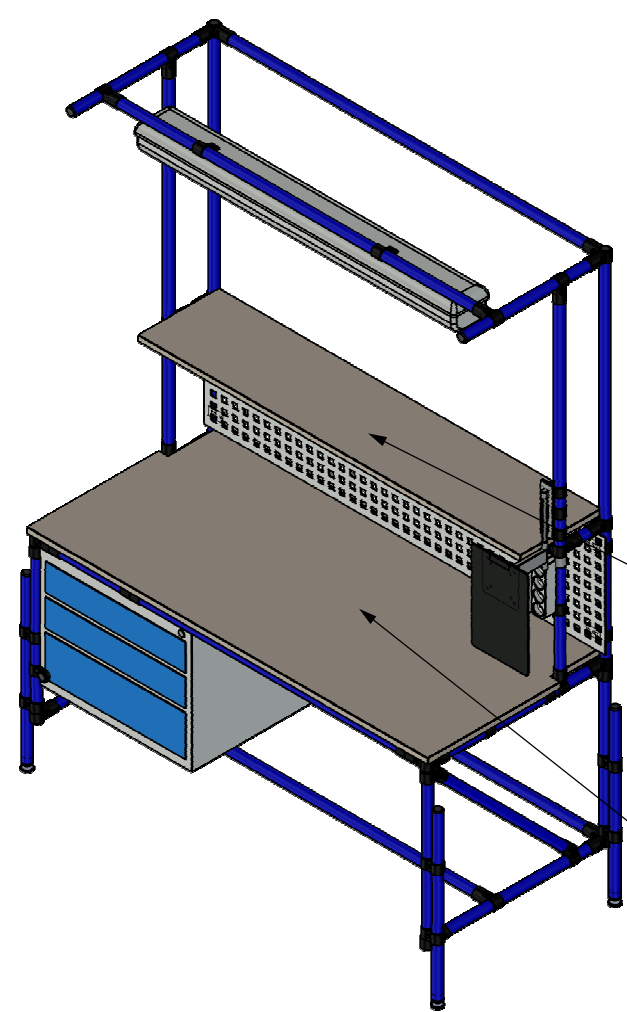


1 2 3 4 5 6 7 8

A  
B  
C  
D  
E  
F



hliniková deska s klipem A4

možnost nastavení výšky 650-950mm

lamino 1429x300x18mm

lamino 1500x700x18mm

Workshop accuracies for general tolerances - Tolerances for length and angle dimensions; DIN ISO 2768-1-v  
-Machining details and finish classification to DIN ISO 1302

E	Total load capacity*: (Celková nosnost:*) <b>150 kg</b>		Load capacity - floor*: (nosnost na patro:*) <b>150 kg</b>	
	Scale	<b>A3</b>	Drawn Kempný	Checked Dat. <b>07.03.2024</b>
Enprag	Title			Sheet 1 of 1
	Title <b>Stul</b>			Rev. <b>A00</b>
				Doc.Nr <b>221112851</b>

This document is the sole property of Enprag s.r.o. and may not be copied, duplicated, used or given to third parties without the written permission from Enprag s.r.o. Misuse is subject to penalties and will be legally pursued

Tolerances for shape and condition:  
- DIN ISO 2768-2-K  
Tolerancing:  
- DIN 7167

1 2 3 4 5 6 7 8