

1 2 3 4 5 6 7 8

A

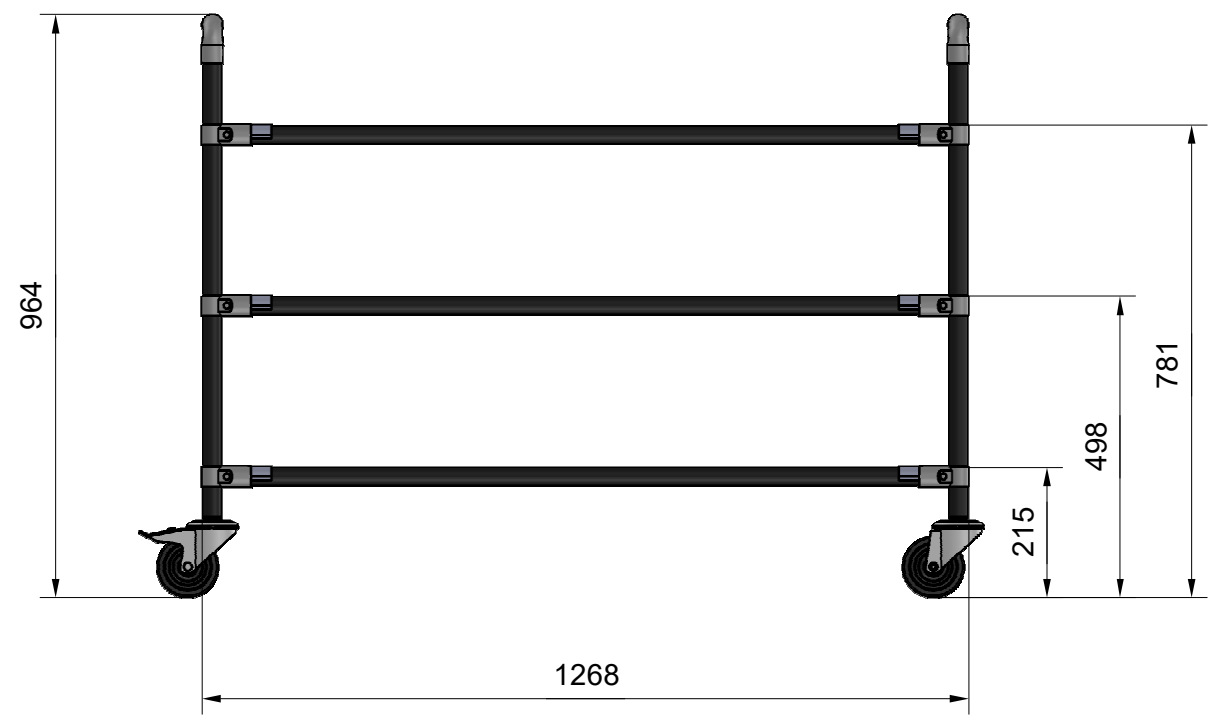
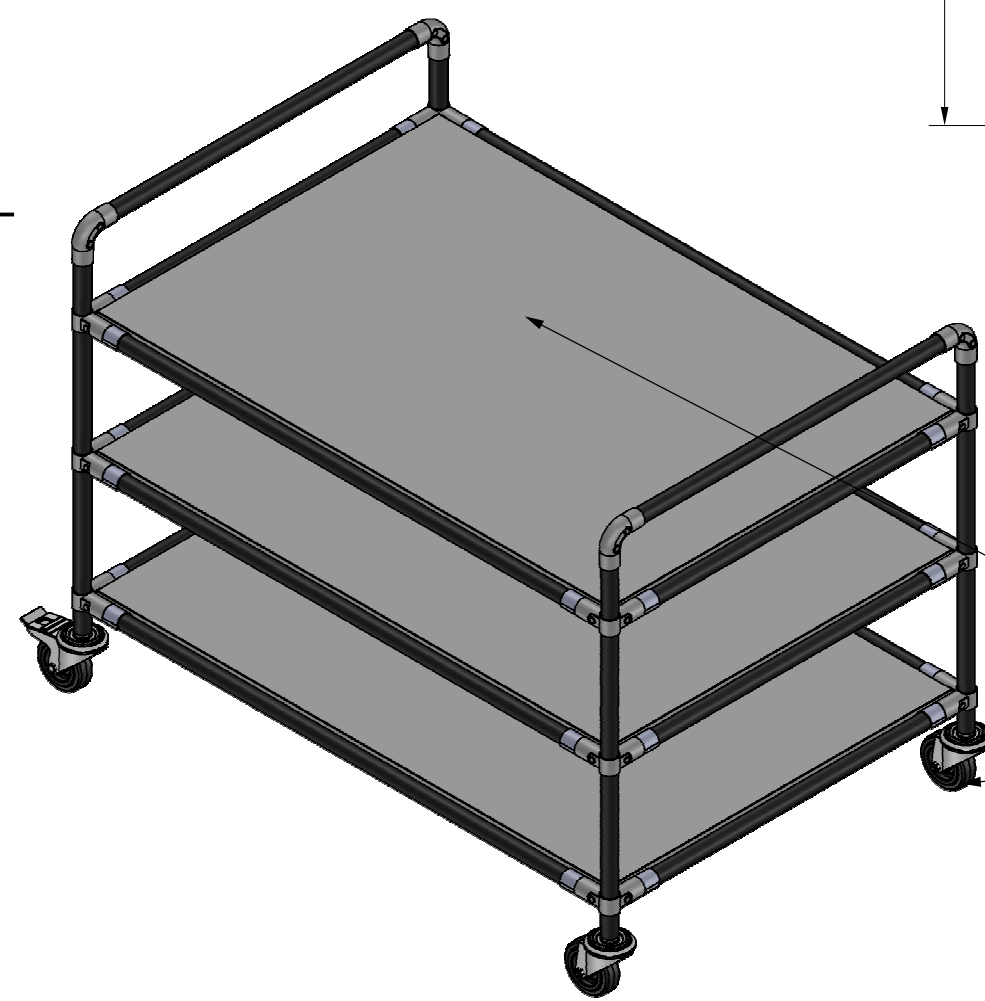
B

C

D


E

F



ESD lamino
1200x800x18mm
4x ESD 100mm kolečko

Workshop accuracies for general tolerances - Tolerances for length and angle dimensions; DIN ISO 2768-1-v
-Machining details and finish classification to DIN ISO 1302

E	Total load capacity*: (Celková nosnosť:*) 240 kg		Load capacity - floor*: (nosnosť na patro:*) 80 kg	
	Scale	A3	Drawn Kempný	Checked Dat. 02.04.2024
	Title Enprag			Sheet 1 of 1
	Title Antistatický vozík			Rev. A00
				Doc.Nr 24040236

This document is the sole property of Enprag s.r.o. and may not be copied, duplicated, used or given to third parties without the written permission from Enprag s.r.o. Misuse is subject to penalties and will be legally pursued

Tolerances for shape and condition:
- DIN ISO 2768-2-K
Tolerancing:
- DIN 7167

1 2 3 4 5 6 7 8