

1 2 3 4 5 6 7 8

A

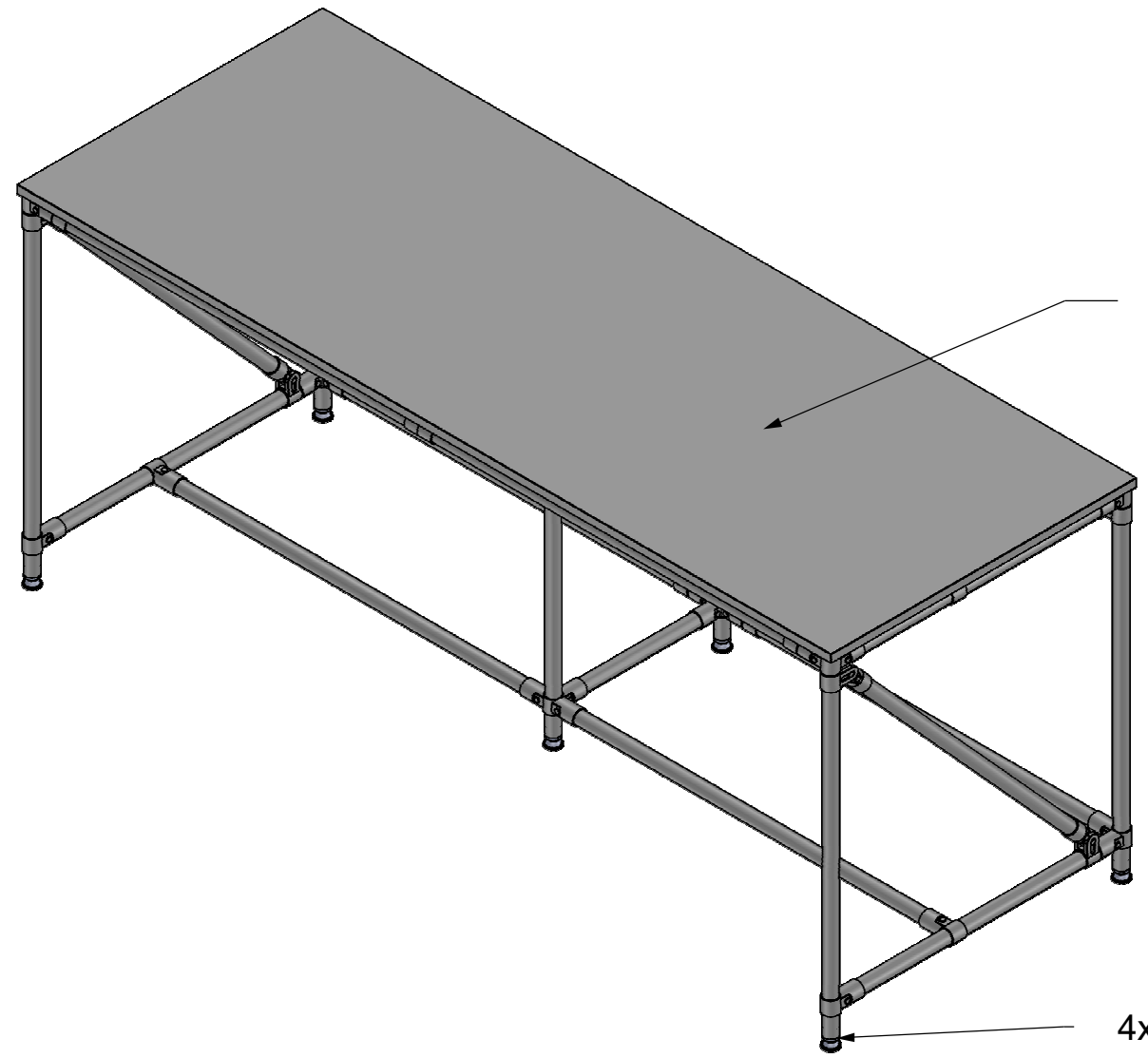
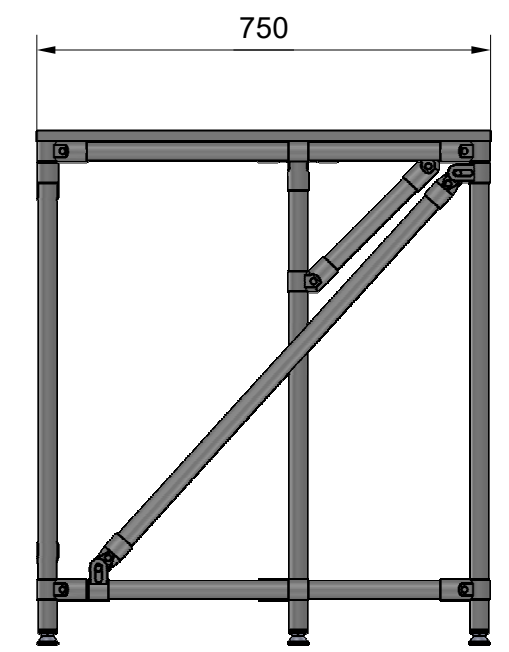
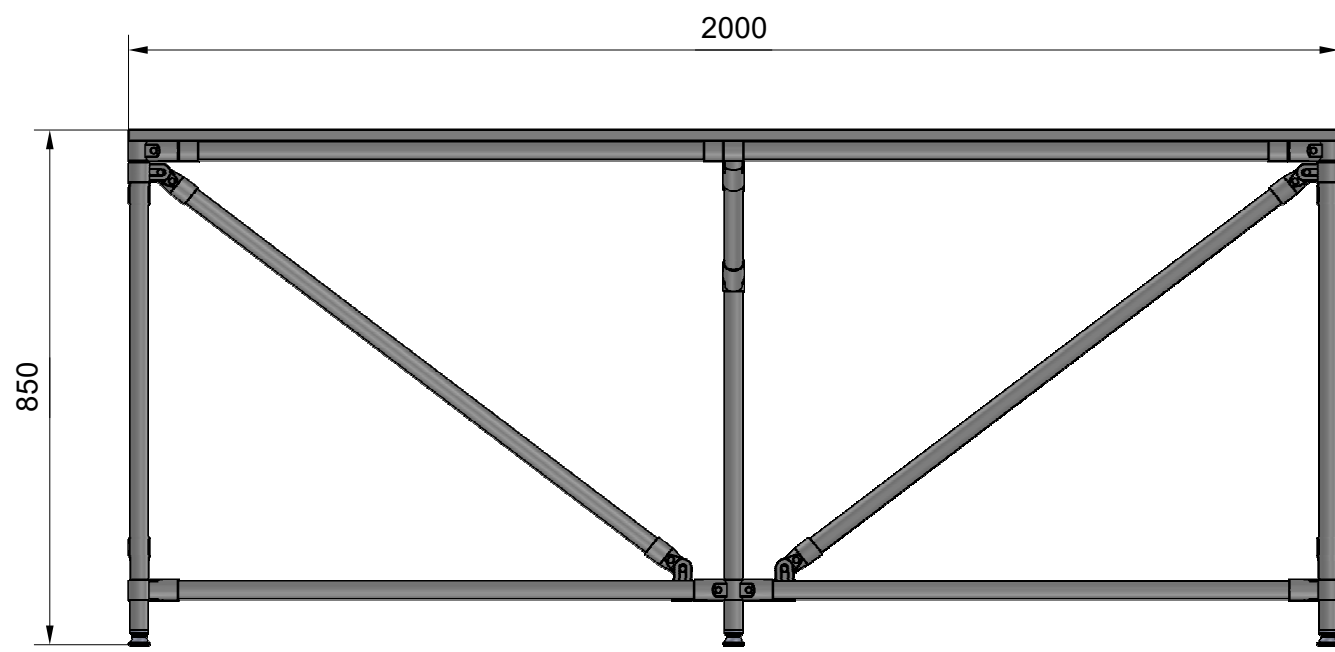
B

C

D

E

F



Dřevotřísková deska oboustranně laminovaná v dekoru 112 Kamenná šedá

4x stavitelné nožičky

Workshop accuracies for general tolerances - Tolerances for length and angle dimensions; DIN ISO 2768-1-v				
-Machining details and finish classification to DIN ISO 1302				
E	Total load capacity*: (Celková nosnost:*)	100 kg	Load capacity - floor*: (nosnost na patro:*)	
	Scale	A3	Drawn Kempný	Checked
	Title		Dat. 08.04.2024	
	Title		Sheet 1 of 1 Rev. A00	
		Title		Doc.Nr
		Enprag		240405312
		Dílenký stůl		

This document is the sole property of Enprag s.r.o. and may not be copied, duplicated, used or given to third parties without the written permission from Enprag s.r.o. Misuse is subject to penalties and will be legally pursued

Tolerances for shape and condition:
- DIN ISO 2768-2-K
Tolerancing:
- DIN 7167

1 2 3 4 5 6 7 8